



NUCTECH™ CX100100D X-RAY INSPECTION SYSTEM

EN



Introduction

NUCTECH™ CX100100D X-ray Inspection System, NUCTECH's new generation product of dual view dual-energy X-ray inspection machine for inspection of large luggage, baggage and small cargoes. CX100100D employees dual view design, images of each view will be shown on a dedicated monitor, thus dangerous objects and contrabands hidden beneath overlapping area are more likely to be found and located. It stands out with more modern and ergonomic design for efficient and professional X-ray screening. With the tunnel dimensions of 1010mm width and 1005mm height, it is perfectly suitable for baggage inspection in airports, railway stations, customs, ports and stadiums, etc.

CX100100D combined with unsurpassed operation ergonomics, reliability and safety can provide excellent image quality and advanced material classification. CX100100D offers explosive and drug auto detection as optional.

Technology Features

- Based on dual-view advanced technology meeting high level security and operational effectiveness demands
- High image quality with wire resolution of 38AWG and steel penetration of 34mm steel
- X-ray leakage around the equipment is close to natural background level, which meets all published international health and safety standards and ensures the radiation safety of operators as well as the public
- Automatic detection and alarm of explosives and drugs
- Support stepwise, continuous zoom and magnifier functions to enlarge images
- Images can be saved as general image format, such as BMP, JPG and PNG, and be transferred to USB storage devices
- Ergonomic keyboard and operator interface design ensure the efficiency and professionalism of the x-ray screening operation
- Modular design and construction combined with full built-in diagnostic facility guarantee the efficiency of equipment maintenance

Technical Specifications

General Specifications

Tunnel Dimensions	1010mm(W) × 1005mm(H)
Conveyor Speed	0.20m/s
Conveyor Height	300mm
Max. Load	200Kg

Image Performance

Wire Resolution	0.1mm(38AWG)
Steel Penetration	34mm
Display Resolution	1280 × 1024

Image Processing System

Image Enhancement	Color/BW, negative, high/low penetration, organic /inorganic stripping, general enhancement, multi-absorptivity and suspect material enhancement, etc.
Material Classification	According to atomic number signatures
ROI & Zoom	Step/stepless zoom, up to 32 times enlargement
Image Recall	Preceding images recallable
Image Storage Capability	Up to 50,000

Miscellaneous Functions

Standard Functions	Time/date display, counters, user management, system-on/X-ray-on timers, power on self test, built-in diagnostic facilities, dual-direction scanning, system log, system standby and training, etc.
Optional Functions	Explosives/narcotics detections, high-density area alert, threat image projection (TIP)

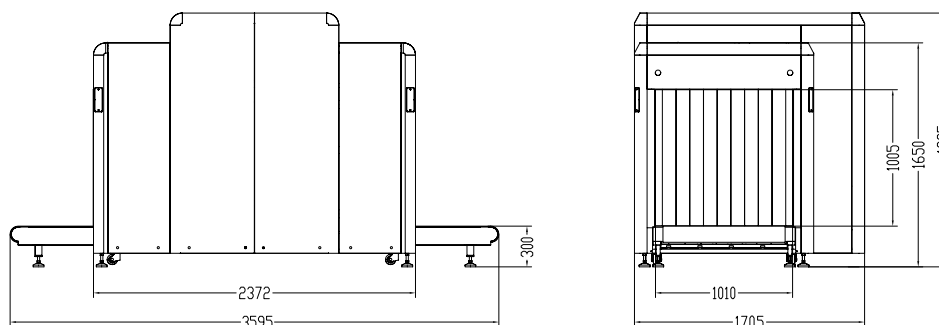
Health and Safety

X-ray Leakage	Less than 1μGy / h (5cm from the housing), complies with all published international standards
Film Safety	Guaranteed for high speed film up to ASA/ISO1600 (33DIN)

Installation Data

Dimensions	3595mm(L) × 1705mm(W) × 1835mm(H)
Weight	1370Kg
Storage Temperature / Humidity	-40°C ~ +60°C / 5% ~ 95% (non-condensing)
Operating Temperature / Humidity	0°C ~ +40°C / 5% ~ 95% (non-condensing)
Power Supply	220VAC/110VAC (-15%~ +10%), 50 Hz/60Hz ± 3Hz
Power Consumption	1.4kVA

Note: Image performance specifications are based on test piece complying with GB 15208.2-2006.



NUCTECH COMPANY LIMITED
 Address: 2/F Block A, Tongfang Building,
 Shuangqinglu, Haidian District,
 Beijing 100084, P.R.China
 Tel: +8610 82393366
 Fax: +8610 82393310
 Http://www.nuctech.com

NUCTECH SYDNEY PTY LTD.
 Address: Suite 4.04, 77 Dunning Avenue,
 Rosebery NSW 2018 Australia
 Tel: +612 96622307/96622317
 Fax: +612 96622371

NUCTECH HONG KONG COMPANY LTD.
 Address: Room 1602, The Metropolis Tower,
 10 Metropolis Drive, Hunghom
 Kowloon Hong Kong
 Tel: +852 27221828
 Fax: +852 27221849

NUCTECH WARSAW COMPANY LIMITED SPOTKA Z.O.O.
 Address: ul. Pandy 18
 02-202 Warsaw Poland
 Tel: +4822 6591545
 Fax: +4822 6581483

NUCTECH COMPANY LTD. SUCURSAL ARGENTINA
 Address: Juana Azurduy 1520, Piso 4
 Oficina C, Buenos Aires,
 Argentina
 Tel: +5411 47045924
 Fax: +5411 47045459
 Mobile: +54911 66630041/65314065

NUCTECH COMPANY LTD. SUCURSAL VENEZUELA
RIF: J-30949364-7
 Address: Av. Francisco de Miranda, Centro
 Plaza, Torre A Piso 19, Oficina 19-C-D,
 Caracas, Venezuela
 Tel: +58212 2852594/2854194
 Fax: +58212 2854194
 Mobile: +58412 3217001

120514

Copyright © 2012 NUCTECH COMPANY LIMITED, All Rights reserved.
 Design and specifications are subject to change without notice.
 Printed in CHINA, May 2012.



NUCTECH HAS BEEN AWARDED THE CERTIFICATE OF QUALITY MANAGEMENT SYSTEM (ISO9001:2000)
 NUCTECH HAS BEEN AWARDED THE CERTIFICATE OF ENVIRONMENTAL MANAGEMENT SYSTEM (ISO14001:2004)
 NUCTECH HAS BEEN AWARDED THE CERTIFICATE OF OCCUPATIONAL HEALTH AND SAFETY MANAGEMENT SYSTEM(OHSAS18001:2001)

